

Raised Garden Bed - 4' x 8'

Materials List - See Color Drawings for Reference

-  6 pcs - 4" x 4" x 30" (posts)
 -  4 pcs - 2" x 6" x 93" (side boards)
 -  4 pcs - 2" x 6" x 48" (end boards)
 -  14 pcs - 2" x 6" x 48" (bottom slats, "floor" of bed)
 -  2 pcs - 2" x 4" x 19" (support boards attached to center posts)
 -  2 pcs - 2" x 4" x 93" (support boards under "floor")
 -  2 pcs - 2" x 6" x 37-1/2" (bottom slats between 4x4" end posts)
 -  1 pc - 2" x 4" x 37-1/2" (bottom slat between 4x4" center post)
 -  1 pc - 2" x 6" x 93" (support board for inside of bed)
- ⇒ Landscaping Fabric (and staple gun)
- ⇒ 3" - #10 Screws (torx head are best)

Raised Garden Bed - 4' x 8'

Instructions - See Color Drawings for Reference

Attach (3) 4x4x30" posts to (2) 2x6x93" side boards. (2) end posts are flush with ends of side boards. (1) center post is centered on 93" side boards at 46-1/2". Separately, build both sides of bed.

Attach (2) 2x6x48" end boards to (2) 4x4x30" posts (may be easier if side boards are on the ground). End boards go 1-1/2" past posts to be flush with side boards. Attach both ends.

⇒ For the next 4 steps, be sure bed is upside down. Box is on the ground, posts are sticking up in the air.

Position (1) 2x6x37-1/2" bottom slat between 4x4" end posts. Attach to bottom edge of 2x6x48" end board. (This will be additionally secured later.)

Attach (14) 2x6x48" bottom slats to bottom side of 2x6x93" side boards, (7) on each side of the 4x4" center posts. (Note: There is a built-in 3/8" gap between each of the 2x6x48" bottom slats, if slats are warped, you may have to substitute in a 2x4x48" slat board to create spacing.) Suggestion: Layout all bottom slats before securing to confirm spacing.

Attach (1) 2x4x93" support board to (3) 4x4 posts. Fit snug to bottom slats. Do this on each side of bed.

Attach (1) 2x4x19" support board to center posts, butt up snug to side board. Do this for each center post.

⇒ Move raised garden bed to upright position. Now, 4x4" posts are on the ground.

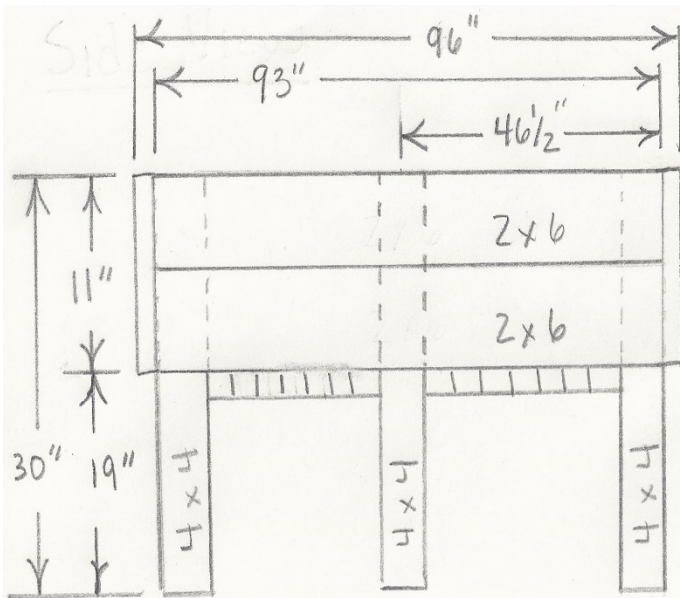
Secure (1) 2x6x37-1/2" bottom slat (already in place) to 2x4x93" support boards underneath it. Do this on each end of bed.

Attach (1) 2x4x37-1/2" bottom slat between the 4x4" center posts to finish the bed "floor". Attach to 2x4x93" support boards underneath it.

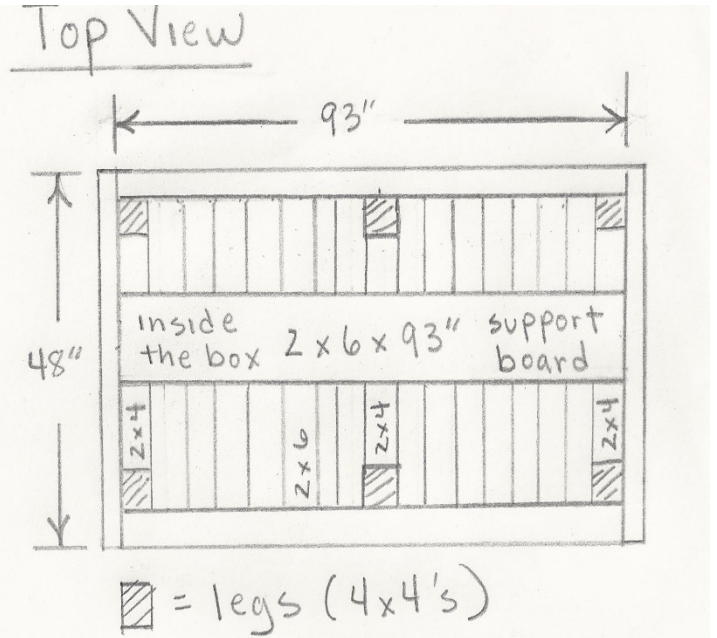
Attach (1) 2x6x93" support board along center line of inside of bed. Attach to bottom slats. Also, screw thru 2x6x48" end boards to secure this support board.

⇒ Staple landscaping fabric to inside of bed. Be sure to form-fit all corners.

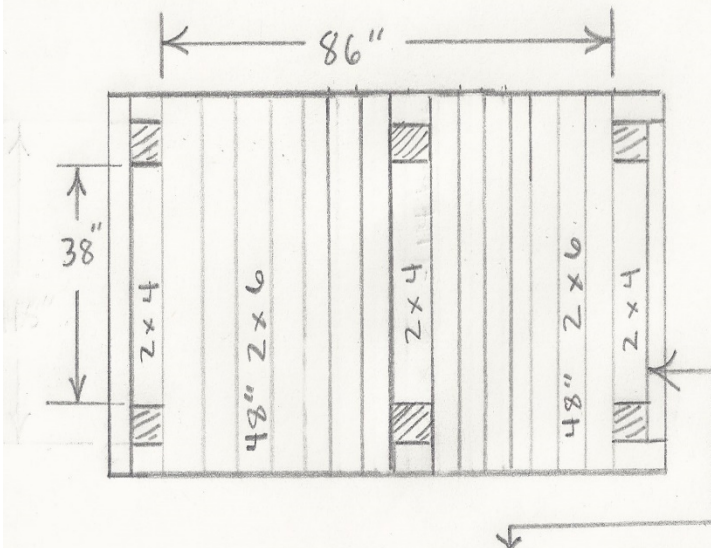
Raised Bed Garden Sketch



* Note - $2 \times 4 = 1\frac{1}{2} \times 3\frac{1}{2}$
 $2 \times 6 = 1\frac{1}{2} \times 5\frac{1}{2}$
 $4 \times 4 = 3\frac{1}{2} \times 3\frac{1}{2}$



Drawings NOT to scale



Bottom View

2x4 supported
by blocks
fastened to 4x4

Materials List

- (4) $2 \times 6 \times 93$ - sides
 - (4) $2 \times 6 \times 48$ - ends
 - (6) $4 \times 4 \times 30$ - legs
 - (14) $2 \times 6 \times 48$ - bottom
 - (4) $2 \times 4 \times 38$ - bottom
 - (8) $2 \times 4 \times 3\frac{1}{2}$ - support blocks
 - (1) $2 \times 6 \times 93$ - support board
 - (2) $2 \times 4 \times 19$ - support for ctr 4x4's
- landscaping fabric/screws

Raised Bed Cover Numbers

① 4x4 cover

(5) 2x2x8'

10' - 1x3"

3' - 2x4"

10' - 4' chicken wire

(2) - hinges

(1) - latch

(1) - prop rod










32

6x8

50

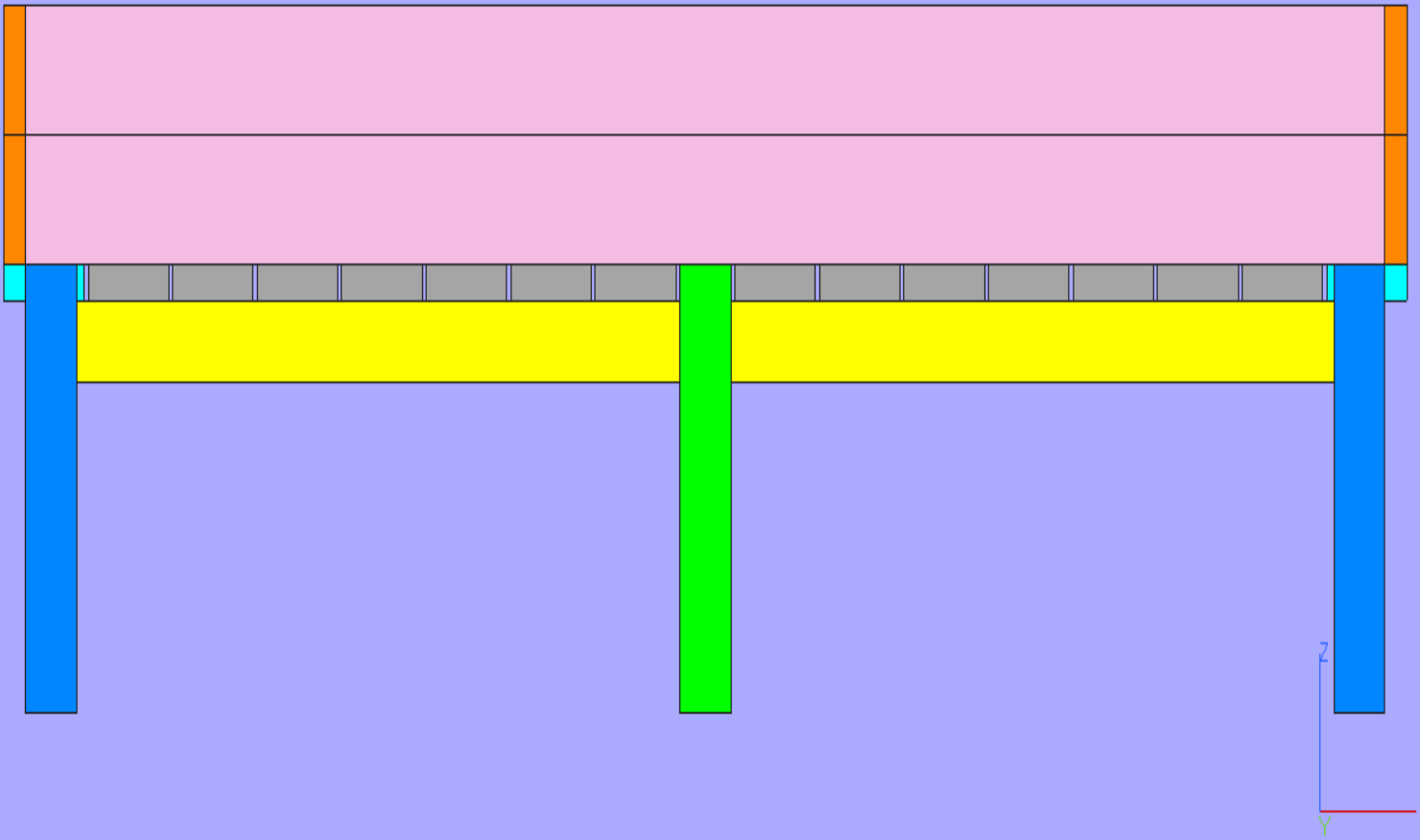
48

Screw and Nail Count

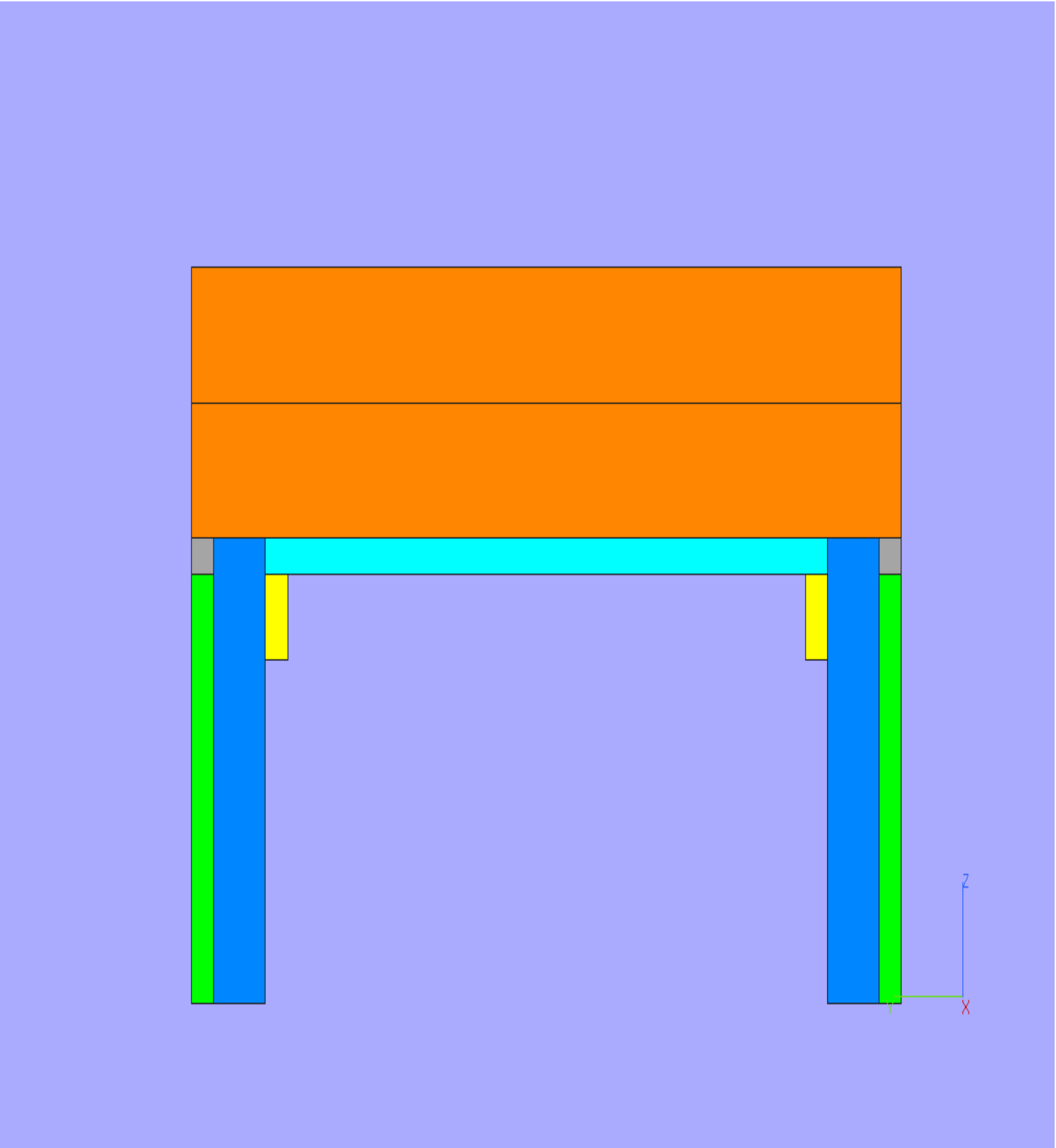
Description		Quantity Per 1 lb	Quantity Per 5 lb	Description		Quantity Per 1 lb	Quantity Per 5 lb
Common Nails 	Bright Smooth			Finish Nails 	Bright Smooth		
	4d 1-1/2"	280	1400		4d 1-1/2"	530	2650
	6d 2"	170	850		6d 2"	260	1300
	8d 2-1/2"	105	525		8d 2-1/2"	170	850
	10d 3"	65	325		10d 3"	115	575
	12d 3-1/4"	60	300		12d 3-1/4"	105	525
	16d 3-1/2"	48	240		16d 3-1/2"	85	425
	20d 4"	30	150				
Box Nails 	Hot Dipped Galv			Joist Hanger Nails 	Hot Dipped Galv		
	4d 1-1/2"	450	2250		9ga 1-1/4"	150	750
	5d 1-3/4"	310	1550	9ga 1-1/2"	125	625	
	6d 2"	215	1075	Roofing Nails 	Electrogalvanized		
	8d 2-1/2"	125	625		11ga 1"	260	1300
	10d 3"	74	370		11ga 1-1/4"	220	1100
	12d 3-1/4"	72	360		11ga 1-1/2"	175	875
16d 3-1/2"	60	300	11ga 1-3/4"		155	775	
			11ga 2"	140	700		
			11ga 2-1/2"	115	575		
Drywall Screws 	Coarse Thread			Exterior Screws 	No-Rust Coated		
	1"	300	1500		1-1/4" x 8	200	1000
	1-1/4"	245	1225		1-5/8" x 8	155	775
	1-5/8"	205	1025		2" x 8	135	675
	2"	150	750		2-1/2" x 9	85	425
	2-1/2"	98	490		3" x 9	75	375
	3"	75	375		3-1/2" x 10	55	275
	3-1/2"	57	285		4" x 10	50	250
	4"	50	250				
Trim Head Screws 	Stainless			Exterior Screws 	Stainless		
	1-5/8"	195	985		1-5/8" x 8	145	745
	2-1/4"	135	680		2" x 8	120	610
				2-1/2" x 10	80	400	
				3" x 10	65	335	

* Approximation

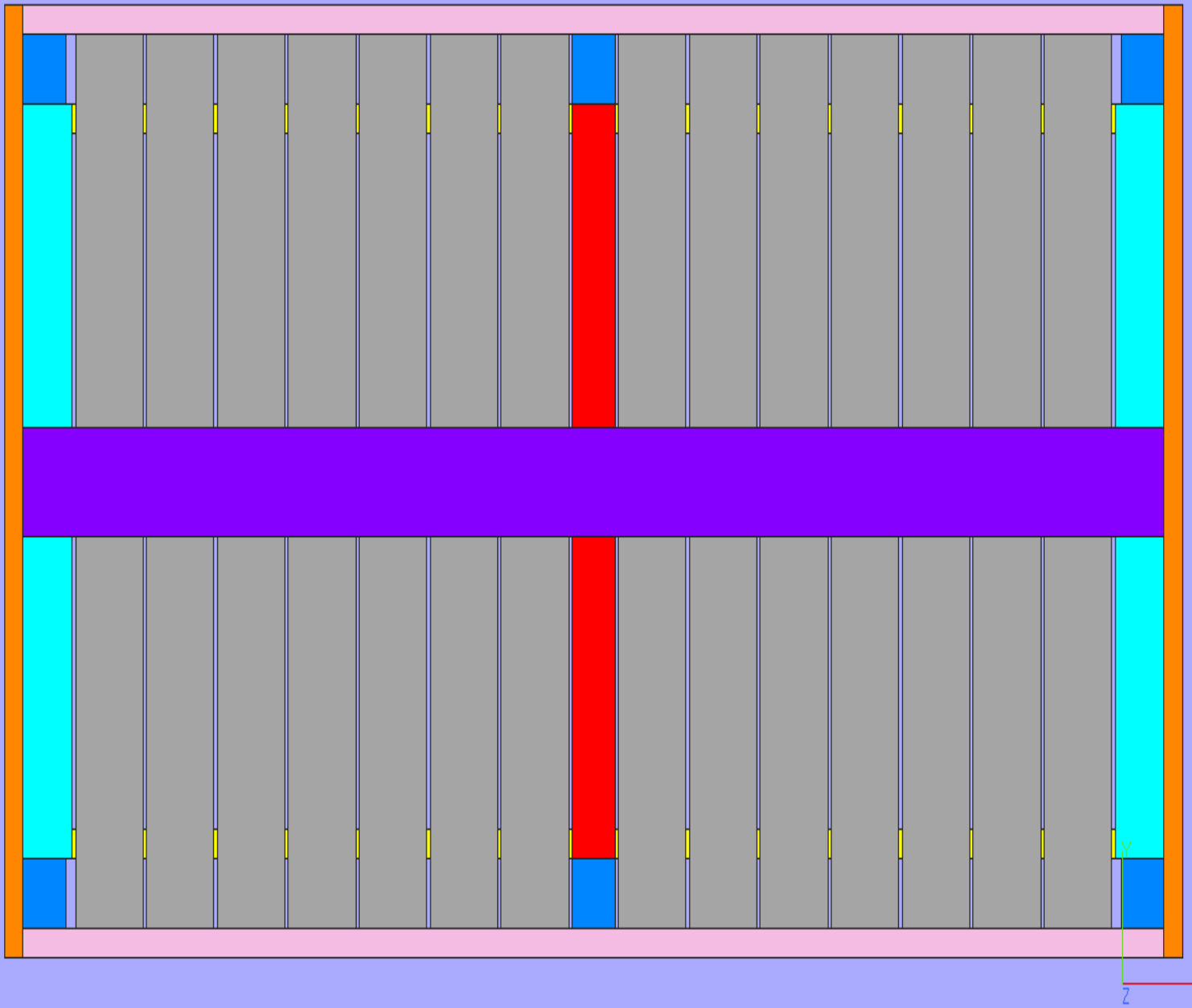
Front View



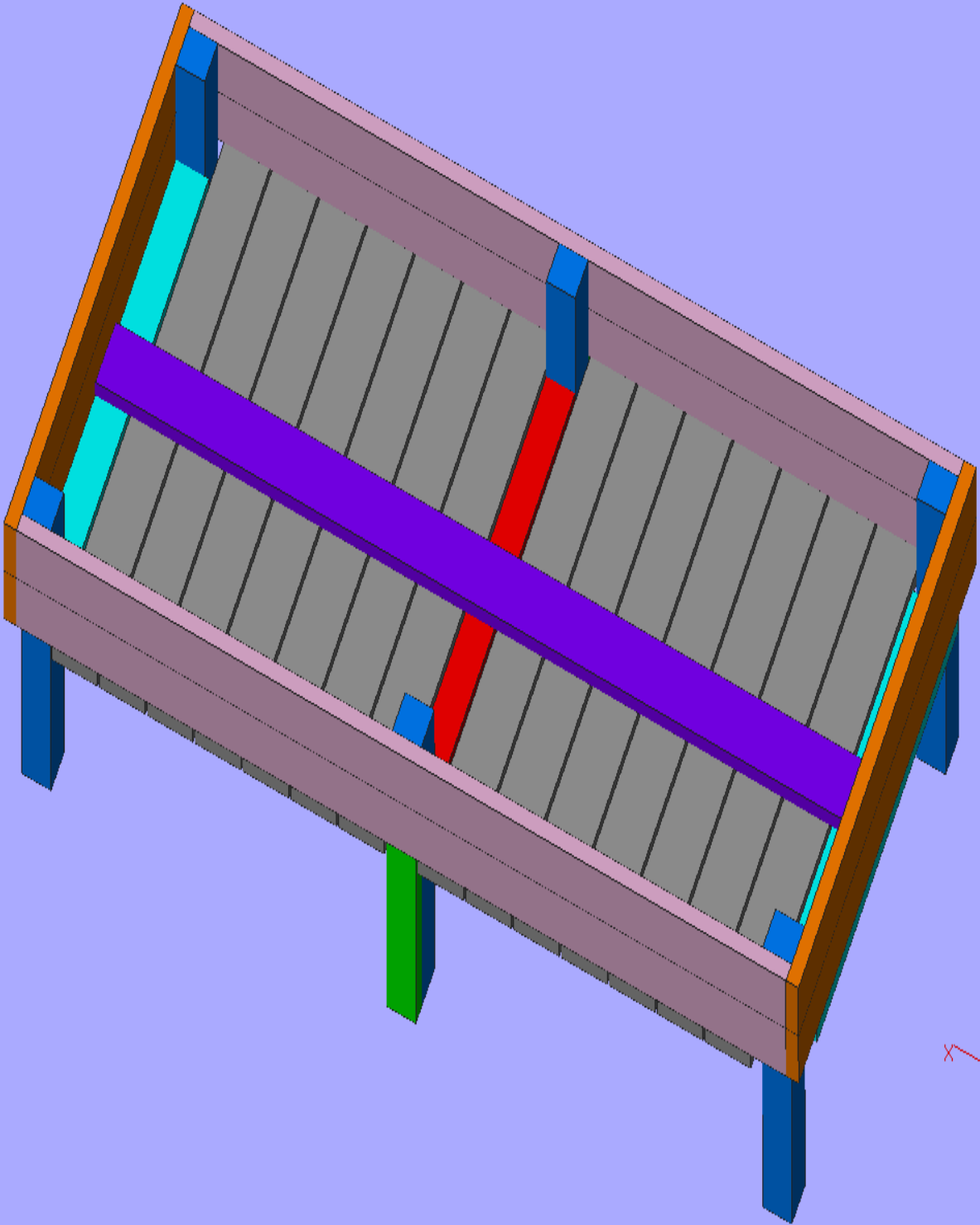
Side View



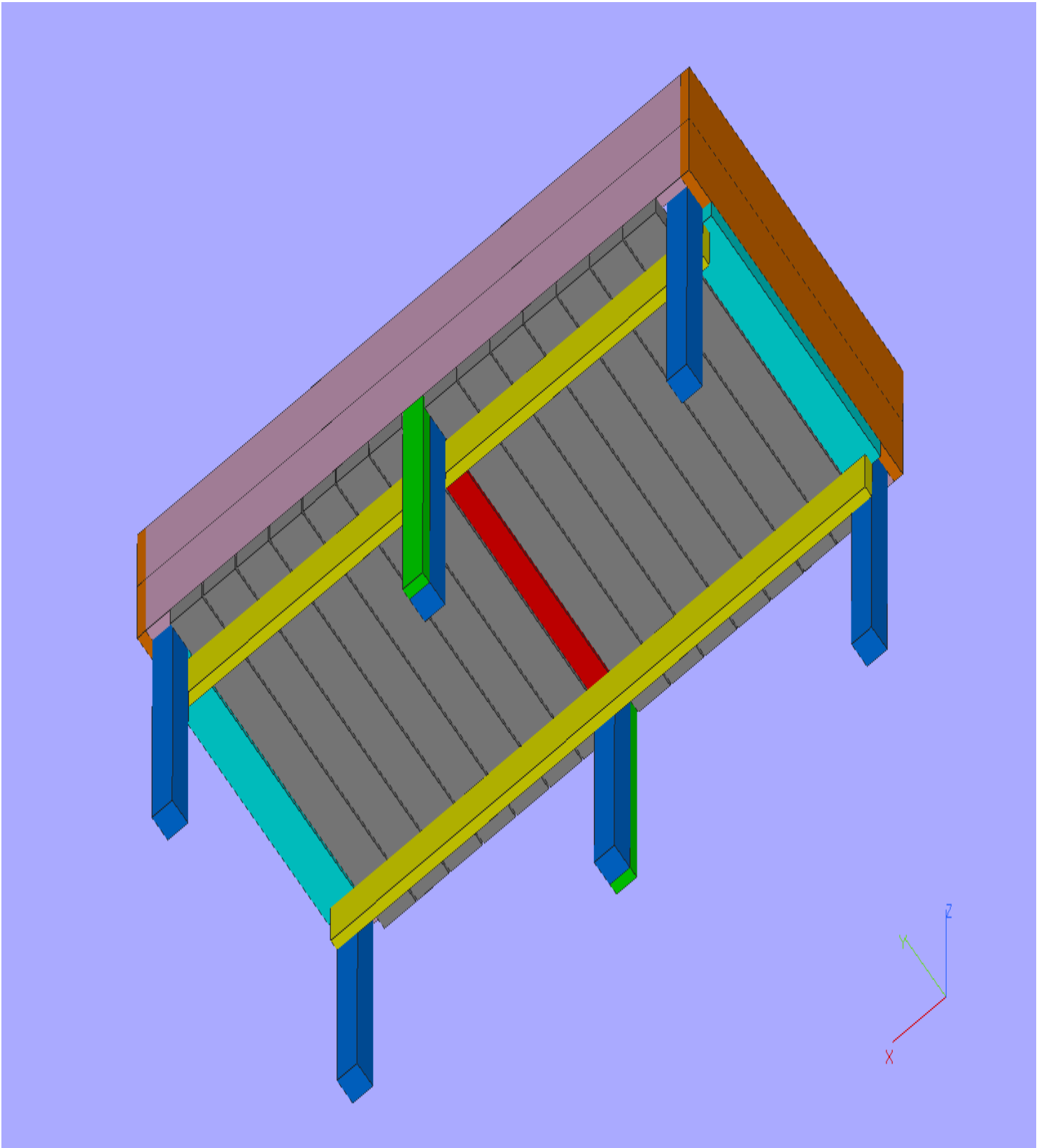
Top View



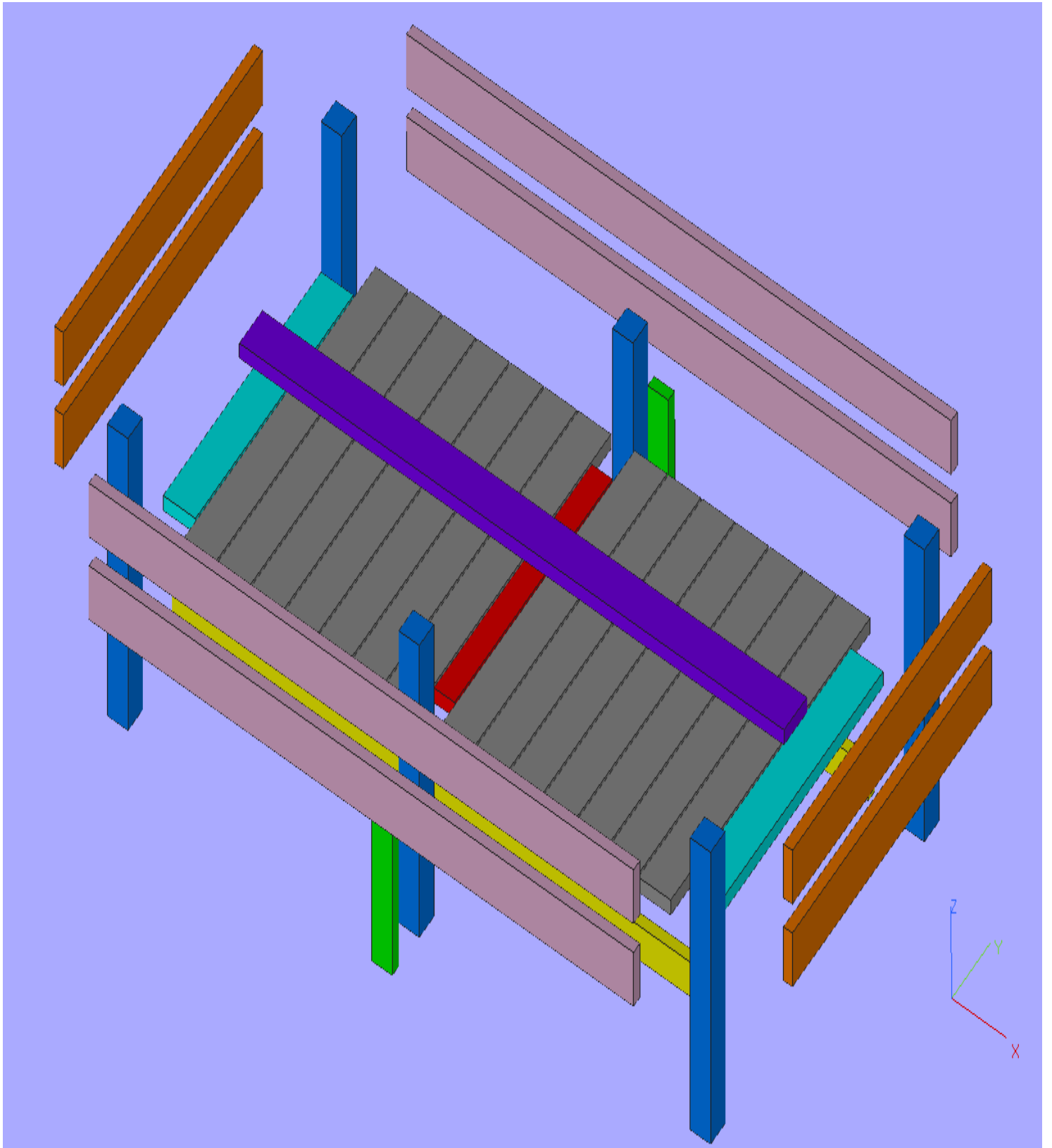
Color Iso View



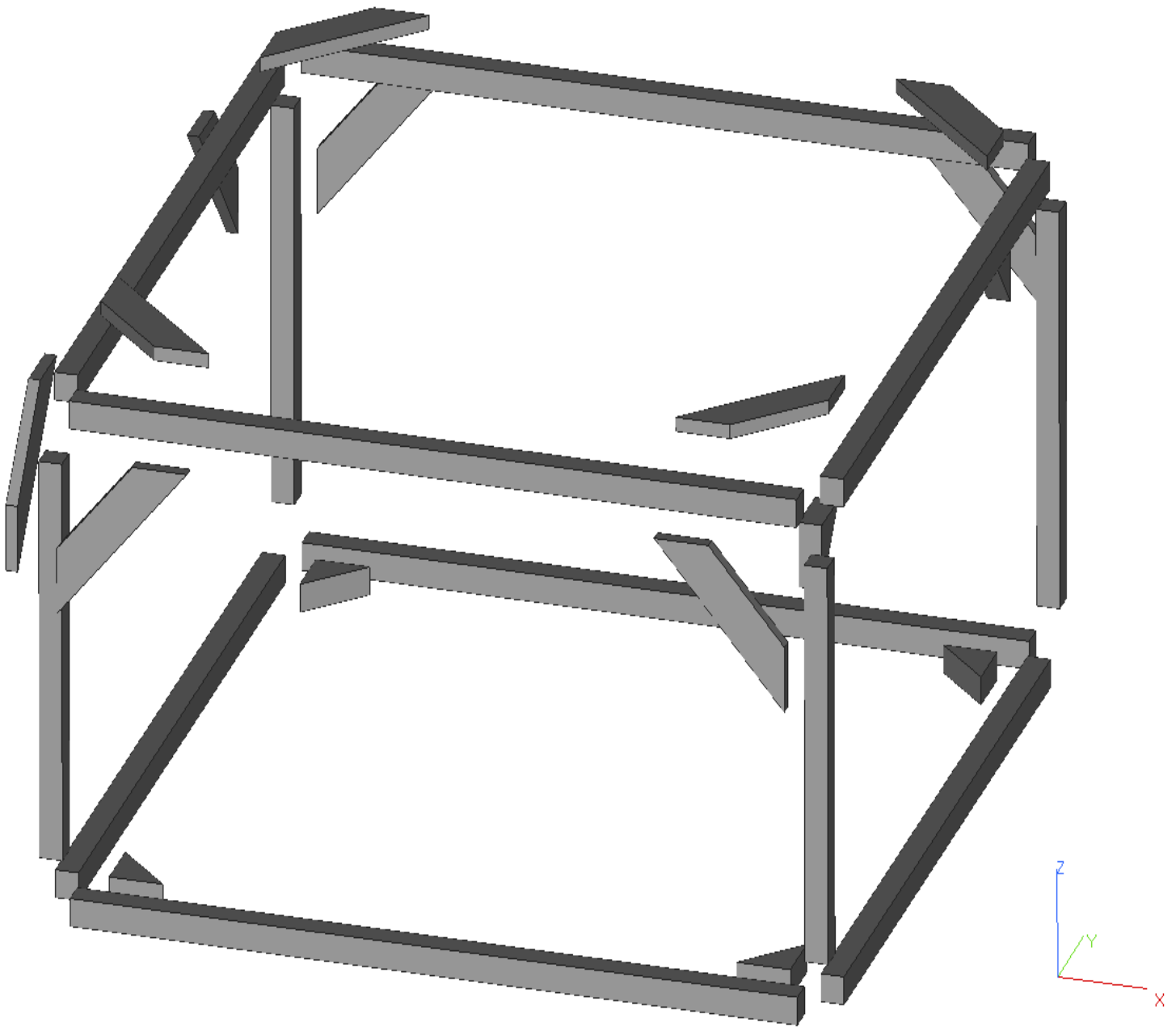
Iso View Bottom



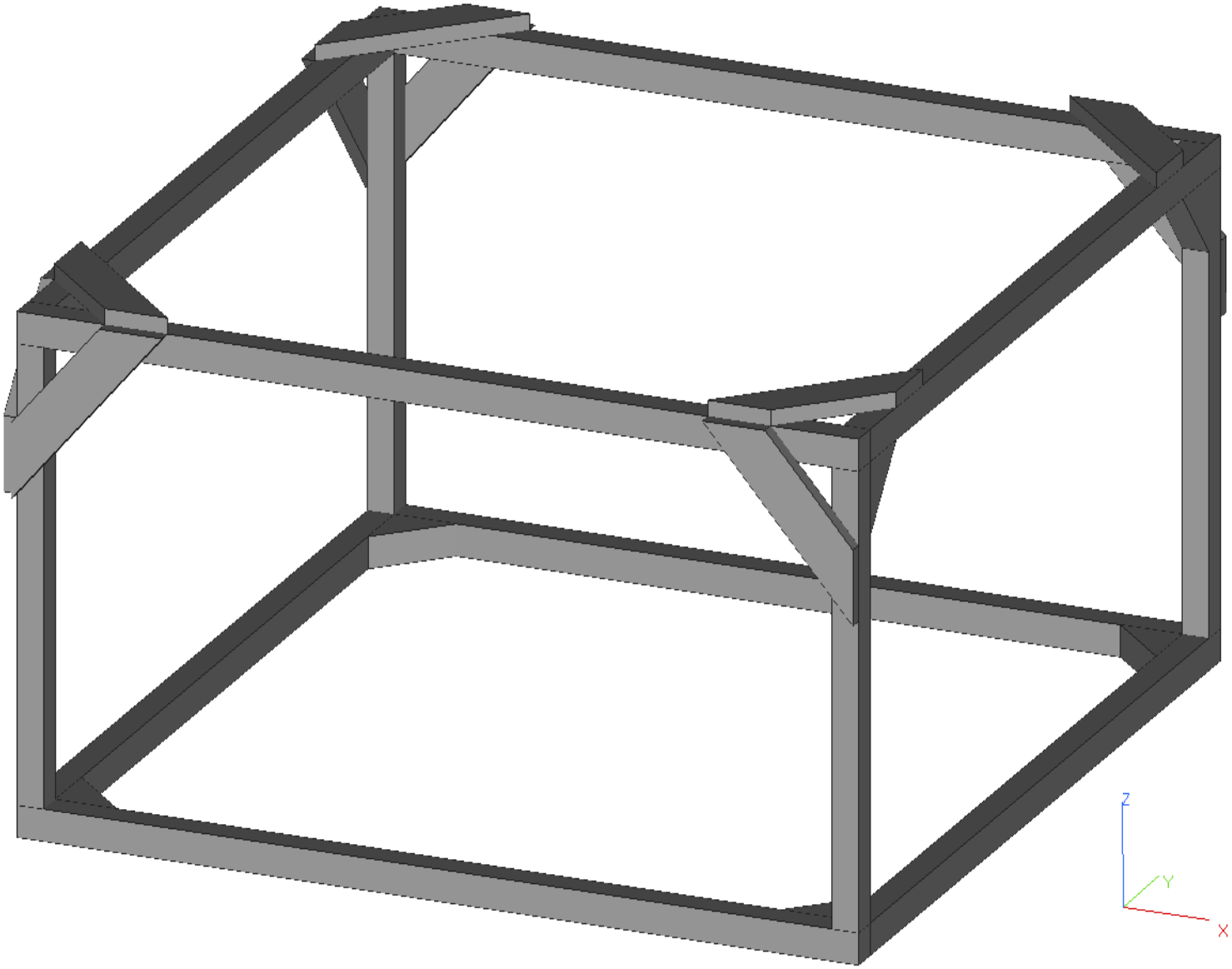
Color Iso Exploded



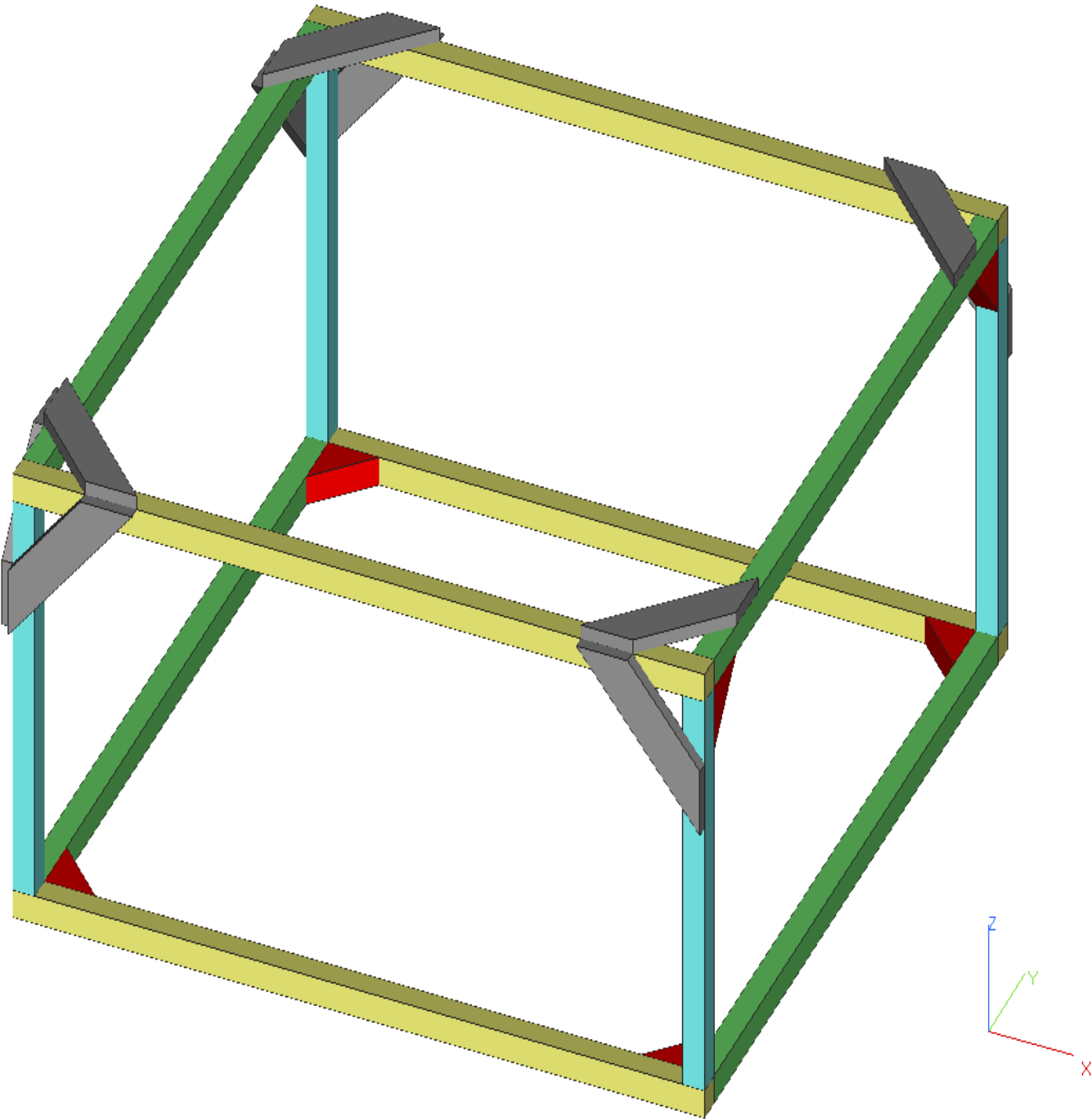
Iso View Exploded



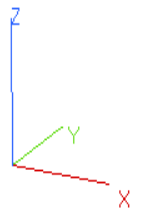
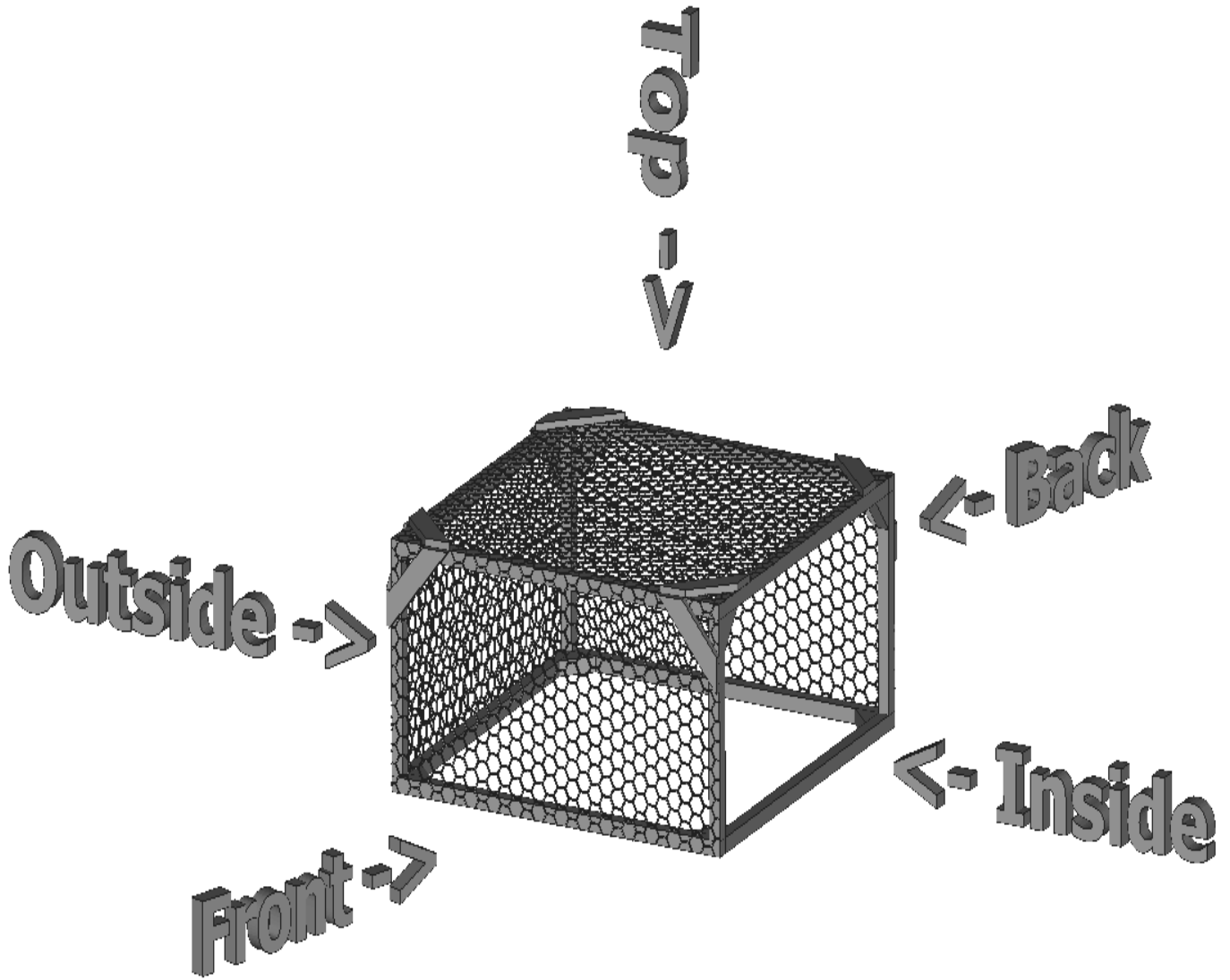
Iso View



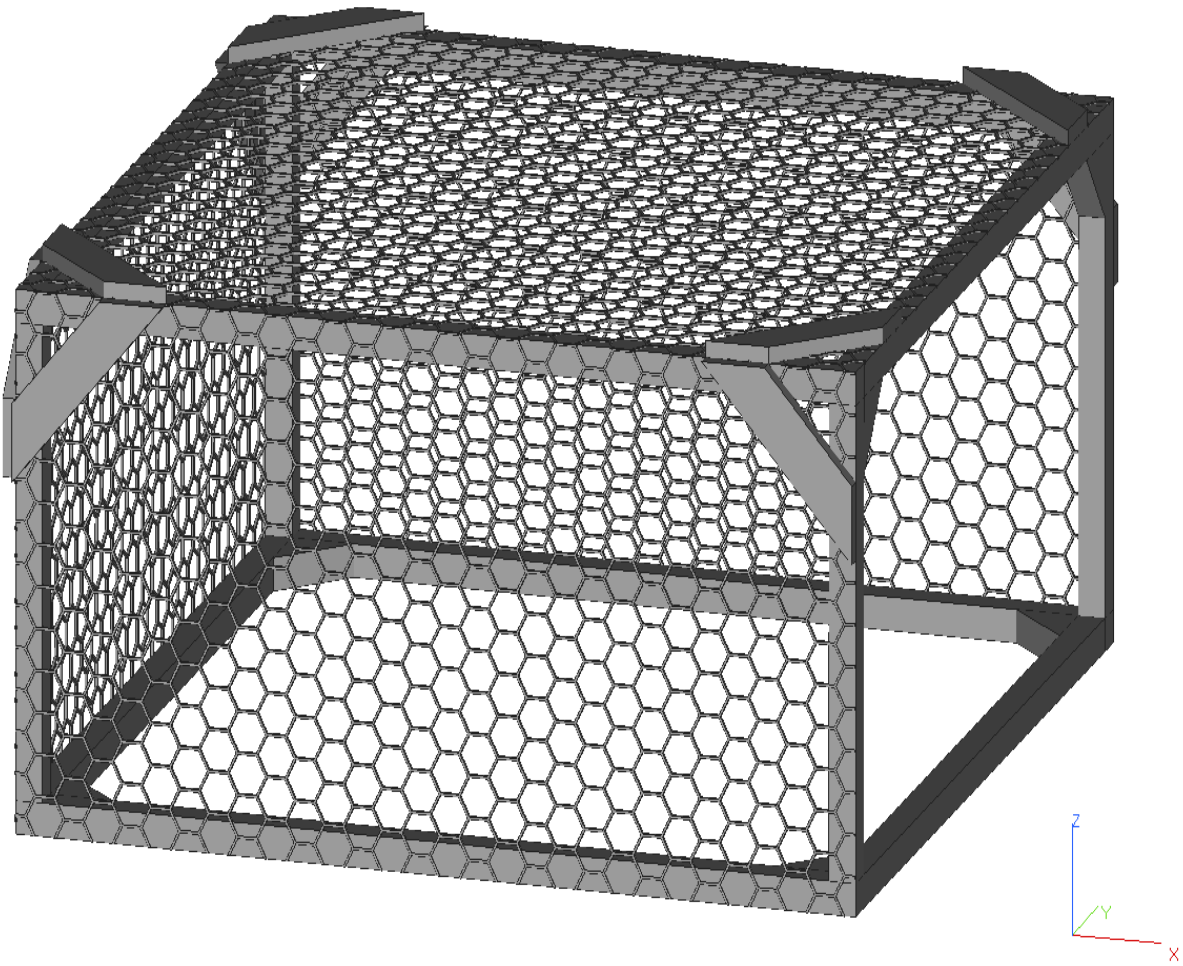
Iso View Color



Iso view Label



Single Cage with Mesh



Double Cage with Mesh and Bed

